

Citroen Xsara wiring diagrams

Key to circuits

Diagram 1 Information for wiring diagrams

Diagram 2 Starting, charging and engine cooling fan

Diagram 3 Engine cooling fan and air conditioning

Diagram 4 Air conditioning

Diagram 5 Pre-heating, coolant level/seat belt warning lights

Diagram 6 Warning lights and gauges

Diagram 7 Lights on warning and key reminder, interior lighting

Diagram 8 Exterior lighting

Diagram 9 Exterior lighting continued and horn

Diagram 10 Heater blower, heated rear window and mirrors, cigar lighter, clock and external temp. sensor

Diagram 11 Clock, sunroof, headlight levelling and audio system

Diagram 12 Wash/wipe

Diagram 13 Electric windows and powered seat

Diagram 14 Central locking, electric mirrors and ABS

Diagram 15 Sagem SL96 fuel injection system

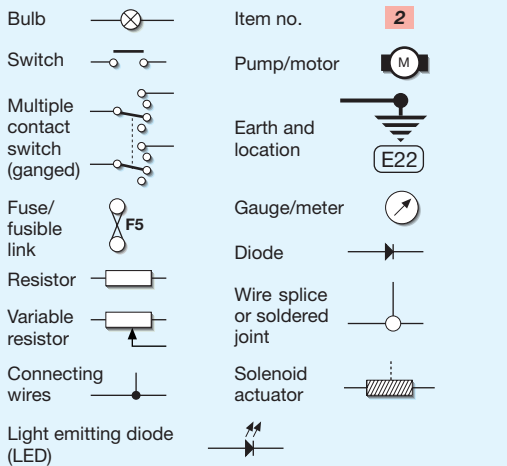
Diagram 16 Bosch MP5.2 Motronic fuel injection system

Diagram 17 MM1AP fuel injection system

Diagram 18 HDi Diesel engine management system (part 1)

Diagram 19 HDi Diesel engine management system (part 2)

Key to symbols



Wire identifier and colour (Orange) CC05 (OR)
 note: colours may not resemble actual vehicle due to variations in production!

Connections to other circuits. Direction of arrow denotes current flow.

Denotes alternative wiring variation (brackets)

Screened cable

Dashed outline denotes part of a larger item, containing in this case an electronic or solid state device.
C2 - connector pin identification.
2VE - 2 pin green connector.

Key to circuits

- Diagram 1 Information for wiring diagrams
- Diagram 2 Starting, charging and engine cooling fan
- Diagram 3 Engine cooling fan and air conditioning
- Diagram 4 Air conditioning
- Diagram 5 Pre-heating, coolant level/seat belt warning lights
- Diagram 6 Warning lights and gauges
- Diagram 7 Lights on warning and key reminder, interior lighting
- Diagram 8 Exterior lighting
- Diagram 9 Exterior lighting continued and horn
- Diagram 10 Heater blower, heated rear window and mirrors, cigar lighter, clock and external temp. sensor
- Diagram 11 Clock, sunroof, headlight levelling and audio system
- Diagram 12 Wash/wipe
- Diagram 13 Electric windows and powered seat
- Diagram 14 Central locking, electric mirrors and ABS
- Diagram 15 Sagem SL96 fuel injection system
- Diagram 16 Bosch MP5.2 Motronic fuel injection system
- Diagram 17 MM1AP fuel injection system
- Diagram 18 HDi Diesel engine management system (part 1)
- Diagram 19 HDi Diesel engine management system (part 2)

Earth locations

- E1 Near battery
- E2 LH front of car
- E3 LH front of car
- E4 LH front of car
- E5 LH front of car
- E6 RH front inner wing
- E7 RH front inner wing
- E8 Front LH footwell
- E9 Front LH footwell
- E10 Front RH footwell
- E11 Front RH footwell
- E12 Centre console
- E13 Centre console
- E14 Centre console
- E15 Centre console
- E16 LH rear of car
- E17 RH rear of car
- E18 RH rear of car
- E19 RH rear of car
- E20 RH rear of car
- E21 Near courtesy light
- E22 On gearbox
- E23 On cylinder head

Engine fuse box

Fuse	Rating	Circuit protected
F1	20A	Headlight washer timer
F2	-	Spare
F3	30A	Fan
F4	-	Spare
F5	30A	Fan
F6	20A	Front foglight relay
F7	-	Spare
F8	-	Spare
F9	15A	Fuel pump
F10	10A	Throttle housing heater resistor
F11	15A	Oxygen sensor
F12	10A	LH main beam headlight
F13	10A	RH main beam headlight
F14	10A	LH dipped beam headlight
F15	10A	RH dipped beam headlight

Passenger fuse box

Fuse	Rating	Circuit protected
F1	10A	Radio, CD player
F2	5A	A/T selector illumination, air conditioning, vehicle speed sensor, coolant level warning light, instrument cluster, central protection unit, heater blower, diagnostic socket
F3	10A	Anti-lock brakes
F4	5A	LH front sidelight, RH rear tail light
F5	5A	Spare
F6	10A	Auto. trans. information relay
F7	20A	Horn
F8	-	Shunt (SH) placed here on vehicle delivery
SH	-	Delivery position of shunt (replaces F8 thereafter)
F9	5A	RH front sidelight, LH rear tail light, number plate lights
F10	30A	Rear electric windows
F11	-	Spare
F12	20A	Instrument panel, stop lights, reversing lights, engine management double function relay
F13	20A	Spare
F14	-	Spare
F15	20A	Engine cooling fan, central protection unit
F16	20A	Cigar lighter, accessory socket
F17	-	Spare
F18	10A	Rear fog lights
F19	5A	Illumination rheostat
F20	-	Spare
F21	30A	Heater blower, air conditioning
F22	15A	Powered seat
F24	20A	Wash/wipe and heated rear window switch, front wiper motor, rain sensor
F25	10A	Air conditioning, instrument cluster, central protection unit, diagnostic socket, digital clock/external temp. gauge, analogue clock, radio
F26	15A	Hazard warning light
F27	30A	Electric front windows. electric sunroof
F28	15A	Rear window inhibitor switch, direction indicators, instrument cluster, glove box light
F29	30A	Heated rear window and mirrors
F30	15A	Vanity light, reading light, exterior temp. gauge, front window lift and sunroof relay, rear wiper motor, rain sensor, rear window lift relay, electric mirrors

Wire colours

BA White	OR Orange
BE Blue	RG Red
BG Beige	RS Pink
GR Grey	VE Green
JN Yellow	VI Mauve
MR Brown	VJ Green/Yellow
NR Black	Yellow

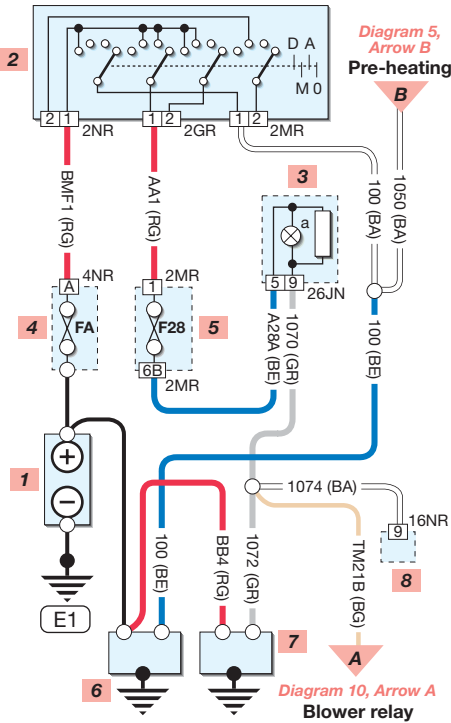
Key to items

1 Battery	7 Alternator	13 Cooling fan relay
2 Ignition switch	8 Diagnostic connector	14 Cooling fan dual temperature switch
3 Instrument cluster	9 Automatic transmission information relay	15 Engine fusebox
a = alternator warning light	10 Cooling fan switch	16 Maxifuse unit 2
4 Maxifuse unit 1	11 Cooling fan motor	17 LH cooling fan
5 Passenger fusebox	12 Cooling fan resistor	18 RH cooling fan
6 Starter motor		

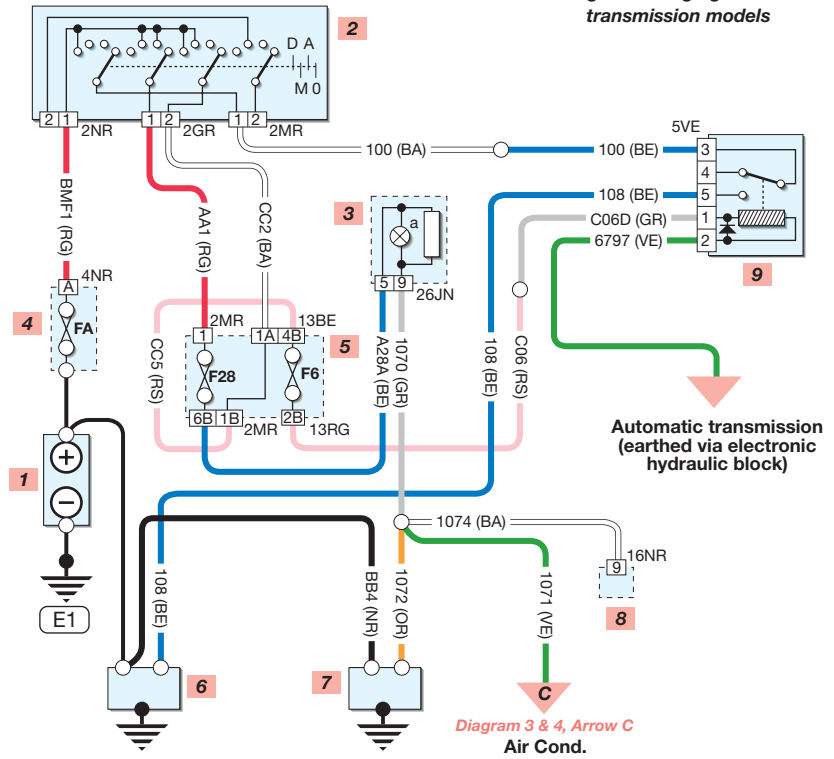
Diagram 2

H31991

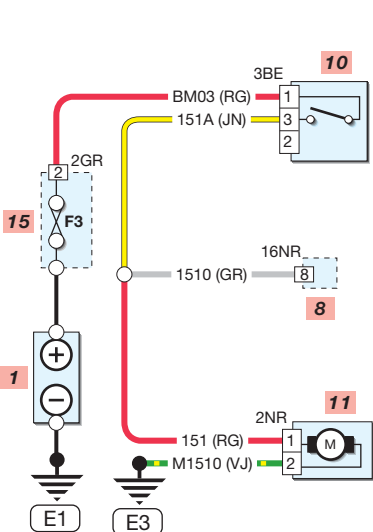
Starting and charging - manual transmission models



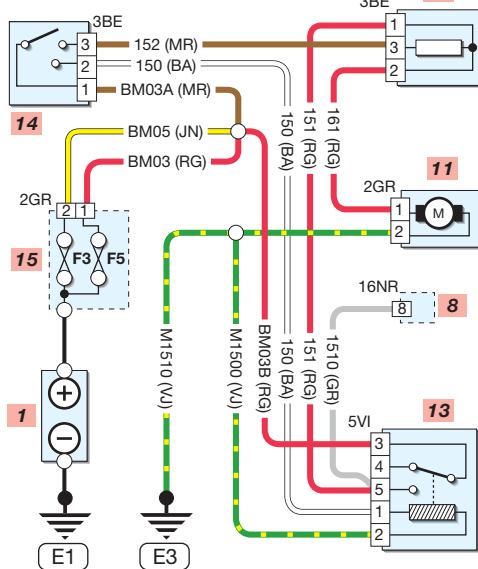
Starting and charging - automatic transmission models



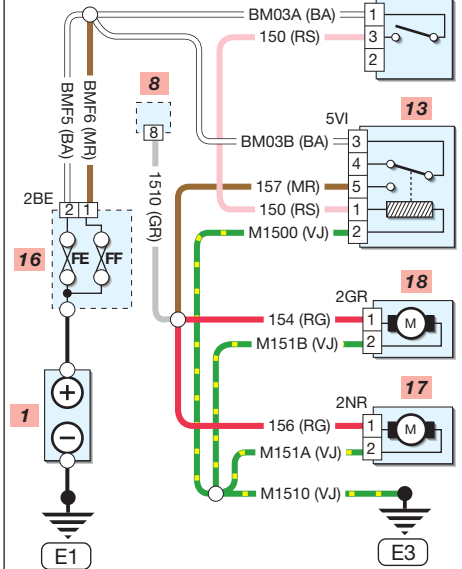
Engine cooling fan - single fan, single speed



Engine cooling fan - single fan, twin speed



Engine cooling fan - twin fan, single speed



Wire colours

BA White	OR Orange
BE Blue	RG Red
BG Beige	RS Pink
GR Grey	VE Green
JN Yellow	VI Mauve
MR Brown	VJ Green/ Yellow
NR Black	

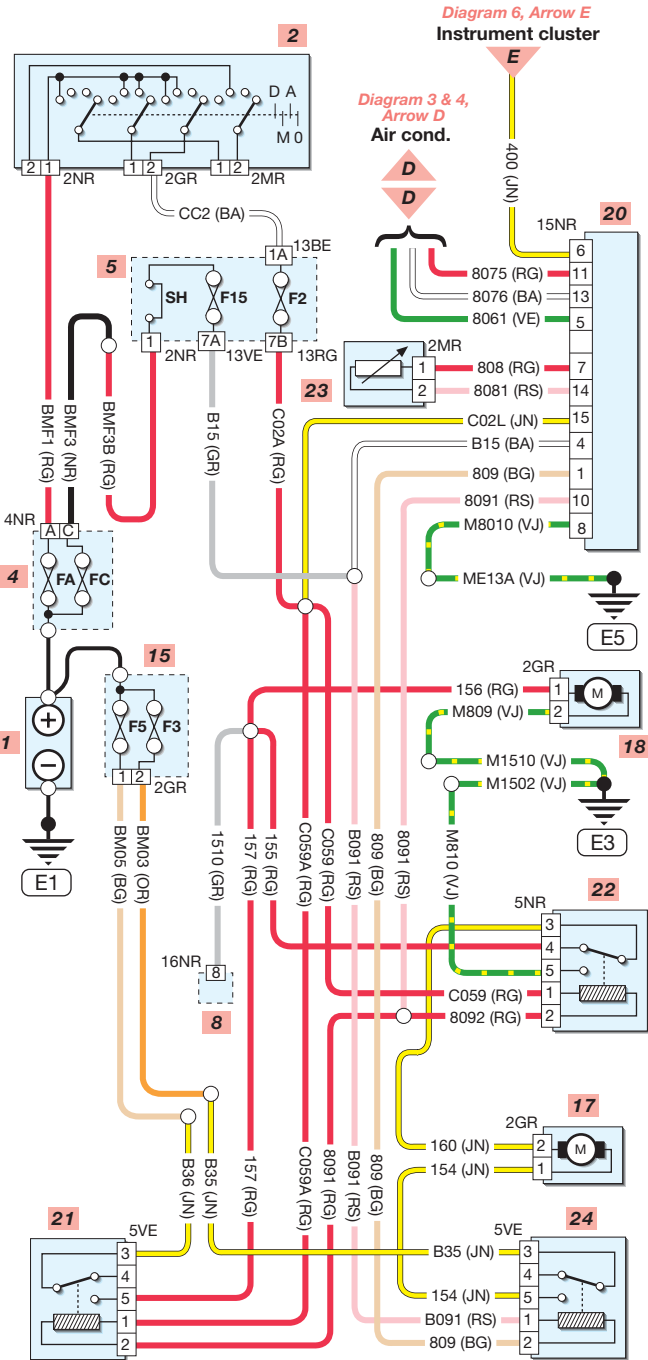
Key to items

1 Battery	21 RH fan supply relay	28 Evaporator thermistor
2 Ignition switch	22 LH fan supply relay	29 A/C compressor
4 Maxifuse unit 1	23 Air conditioning coolant temperature sensor	30 Blower relay
5 Passenger fusebox	24 LH and RH fan series supply relay	31 Blower speed rheostat
8 Diagnostic connector	25 A/C cut-off control unit	32 Air inlet flap reduction motor
15 Engine fusebox	26 Pressostat	33 Blower motor resistor
17 LH cooling fan	27 Passenger compartment temperature electronic thermostat	34 Heater blower motor
18 RH cooling fan		
20 Air conditioning engine coolant temperature unit		

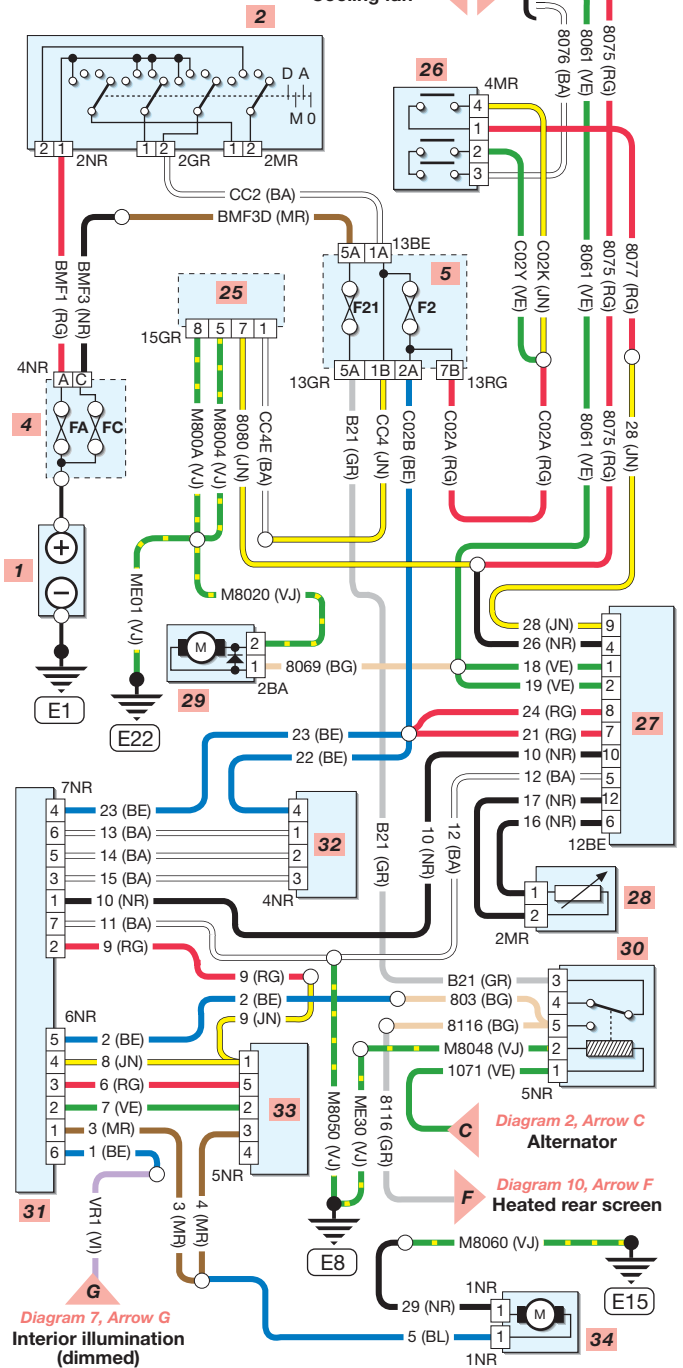
Diagram 3

H31992

Typical twin speed engine cooling fan - models with auto. trans. and A/C



Typical air conditioning (without regulation)



Wire colours

BA White	OR Orange
BE Blue	RG Red
BG Beige	RS Pink
GR Grey	VE Green
JN Yellow	VI Mauve
MR Brown	VJ Green/ Yellow
NR Black	

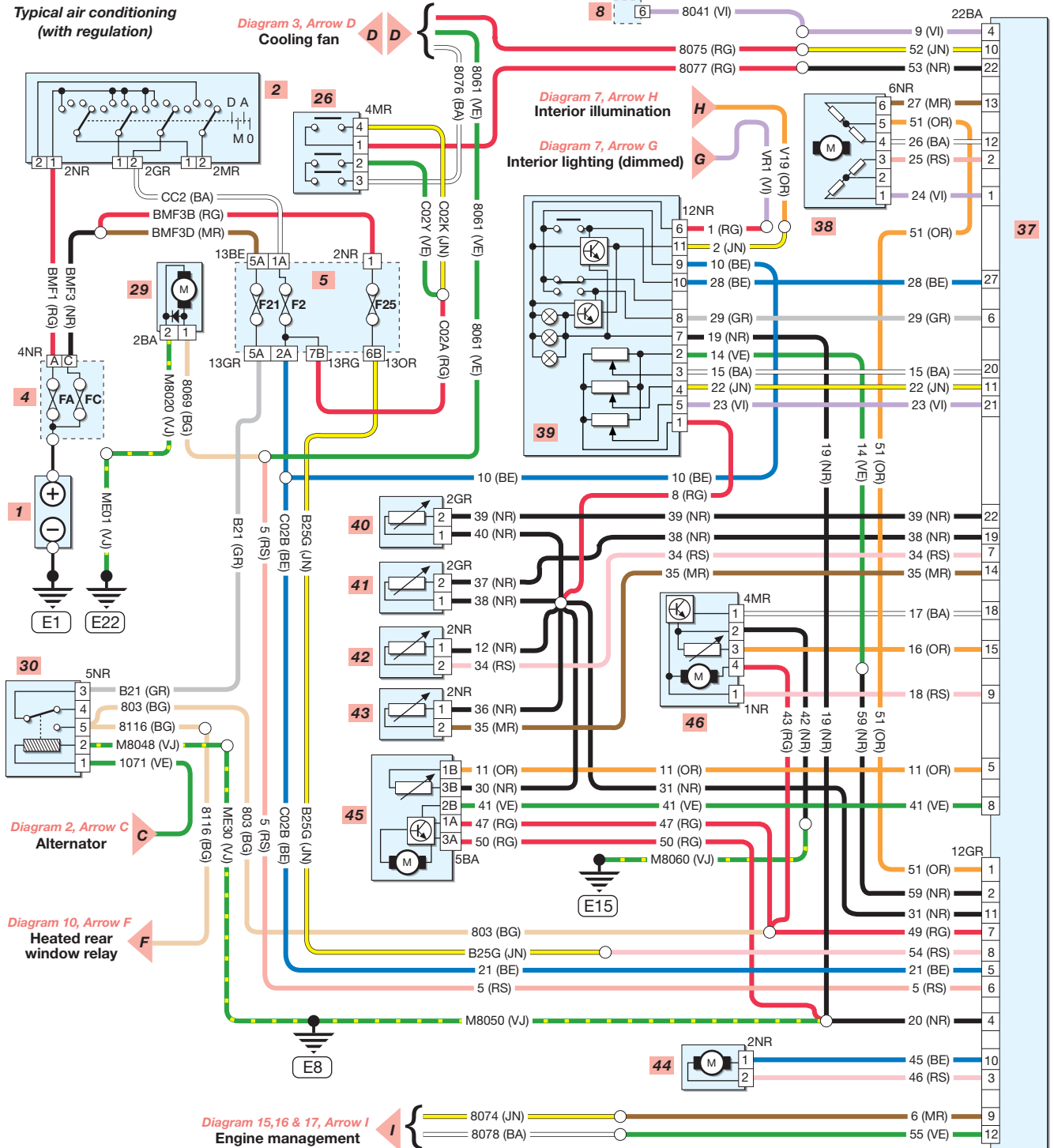
Key to items

1 Battery	37 Air conditioning ECU	45 Passenger compartment air thermistor
2 Ignition switch	38 Mixing flap motor	46 Blower control module
4 Maxifuse unit 1	39 Heater panel	
5 Passenger fusebox	40 Air to footwell temp. sender unit	
8 Diagnostic connector	41 Air vent temp. sender unit	
26 Pressostat	42 Outside air temp. thermistor	
29 A/C compressor	43 Evaporator thermistor	
30 Blower relay	44 Air inlet flap reduction motor	

Diagram 4

H31993

Typical air conditioning (with regulation)



Wire colours

BA White	OR Orange
BE Blue	RG Red
BG Beige	RS Pink
GR Grey	VE Green
JN Yellow	VI Mauve
MR Brown	VJ Green/ Yellow
NR Black	

Key to items

1	Battery
2	Ignition switch
4	Maxifuse unit 1
5	Passenger fusebox
8	Diagnostic connector
15	Engine fusebox
25	A/C cut-off control unit
50	Preheat control unit
51	Glow plugs
52	Post heat thermal switch

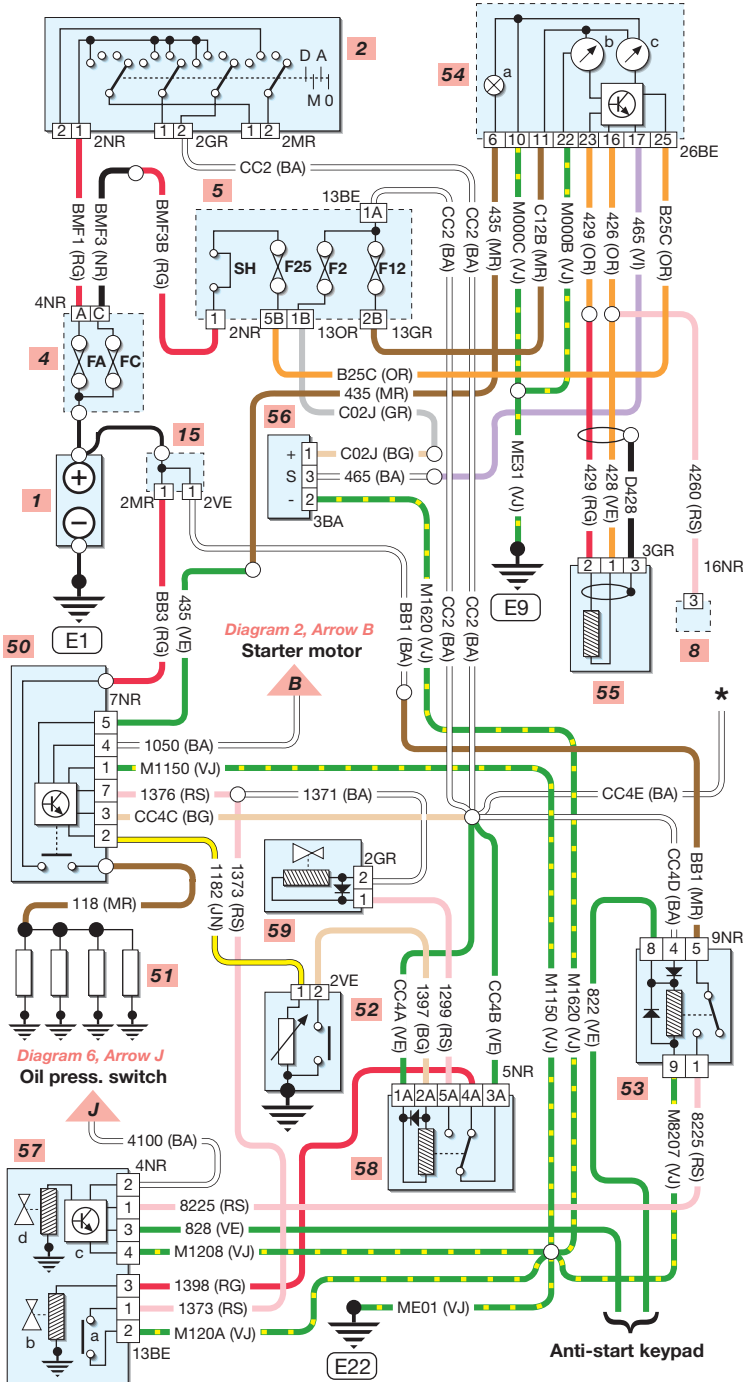
53	Anti-start relay
54	Instrument cluster
a	glow plug warning light
b	speedometer
c	tachometer
d	low coolant level warning light
e	seat belt warning light
55	TDC sensor
56	Vehicle speed sensor

57	Diesel injection pump
a	EGR load lever switch
b	advance correction solenoid
c	CAS control unit
d	fuel cut-off solenoid
58	Post heat relay
59	EGR vacuum control solenoid
60	Coolant level switch
61	Seat belt switch

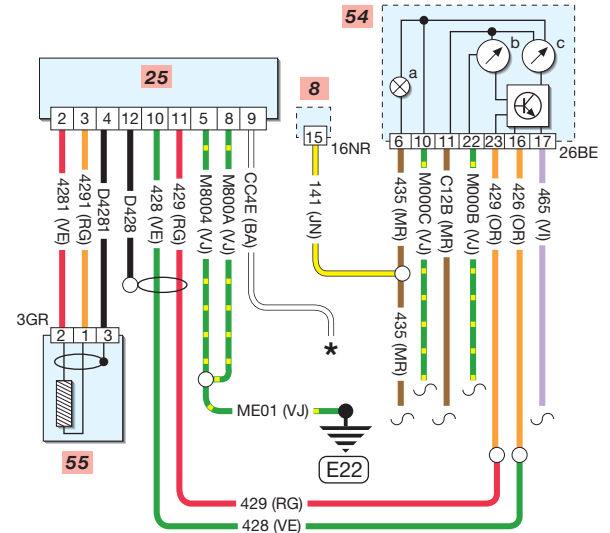
Diagram 5

H31994

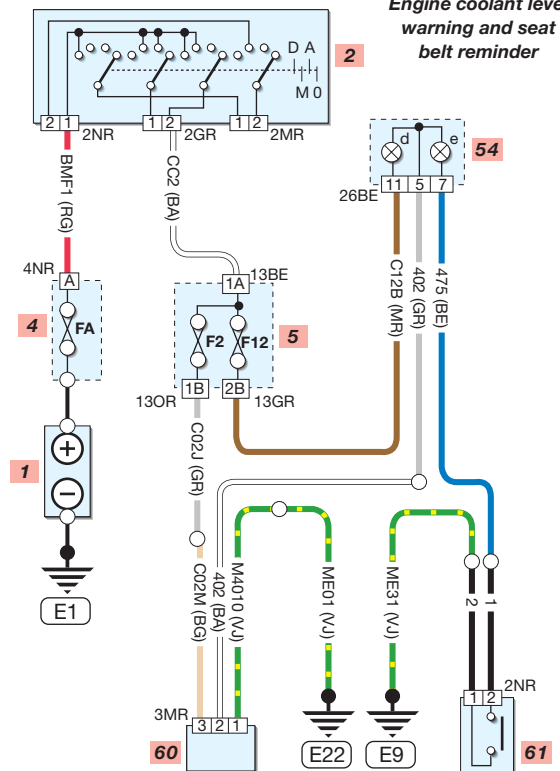
**Typical pre-heating (models without A/C)
- not HDi engine models**



**Wiring variation for typical
pre-heating (models with A/C)
- not HDi engine models**



**Engine coolant level
warning and seat
belt reminder**



Wire colours

BA White	OR Orange
BE Blue	RG Red
BG Beige	RS Pink
GR Grey	VE Green
JN Yellow	VI Mauve
MR Brown	VJ Green/ Yellow
NR Black	

Key to items

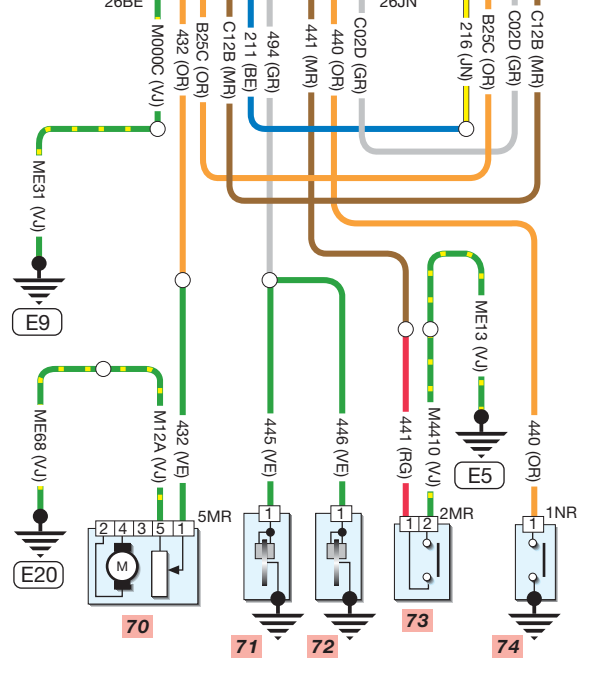
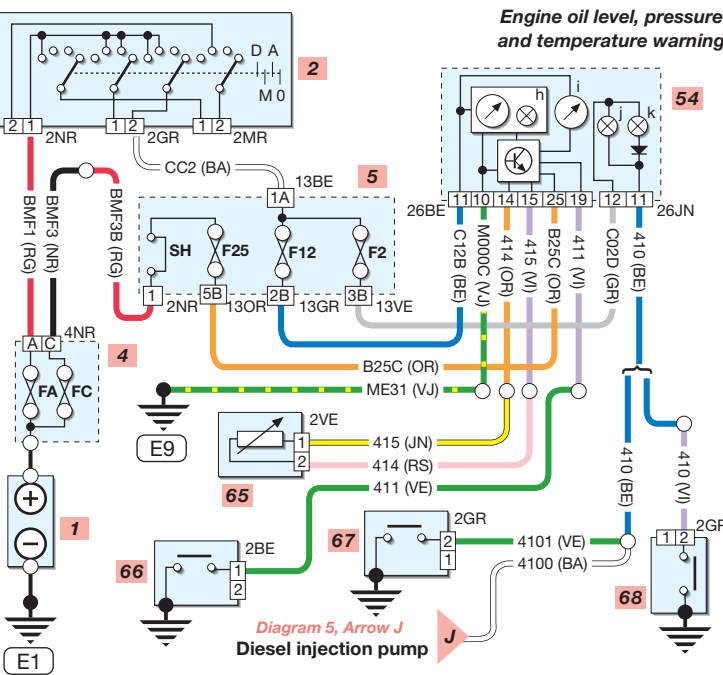
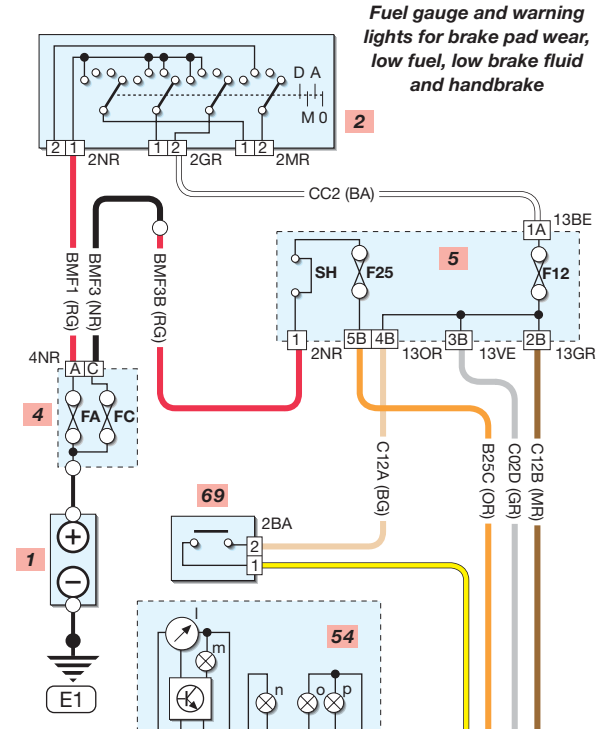
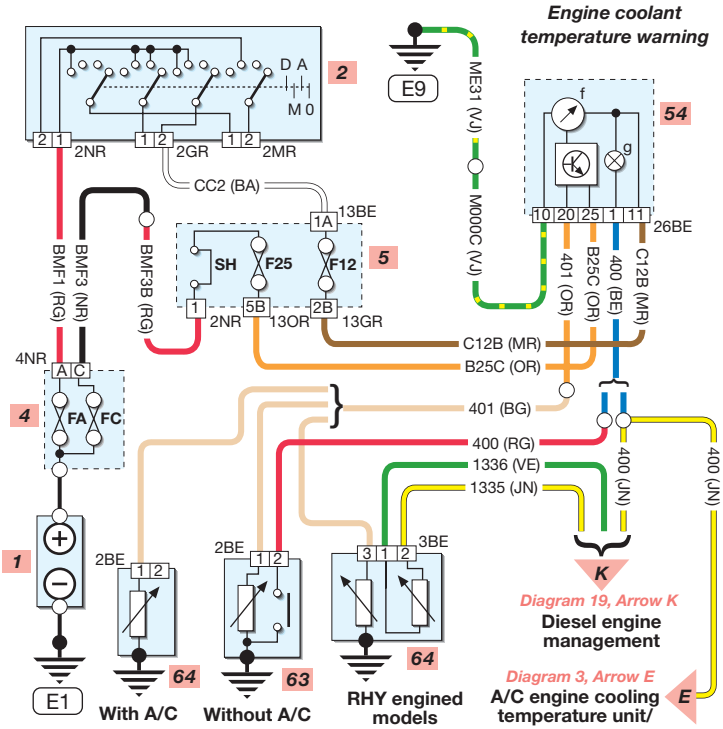
1	Battery
2	Ignition switch
4	Maxifuse unit 1
5	Passenger fusebox
54	Instrument cluster
f	coolant temp. gauge
g	high coolant temp. warning light
h	oil level gauge/warning light
i	oil temperature gauge
j	stop warning light

54	Instrument cluster cont.
k	oil pressure warning light
l	fuel gauge
m	low fuel warning light
n	pad wear warning light
o	low brake fluid warning light
p	handbrake warning light
63	Coolant temp. sensor/switch
64	Coolant temp. sensor
65	Oil level sensor

66	Oil temperature switch
67	Oil pressure switch (Diesel)
68	Oil pressure switch (Petrol)
69	Stop light switch
70	Fuel gauge sender unit/fuel pump
71	LH front pad wear sensor
72	RH front pad wear sensor
73	Brake fluid level switch
74	Handbrake switch

Diagram 6

H31995



Wire colours

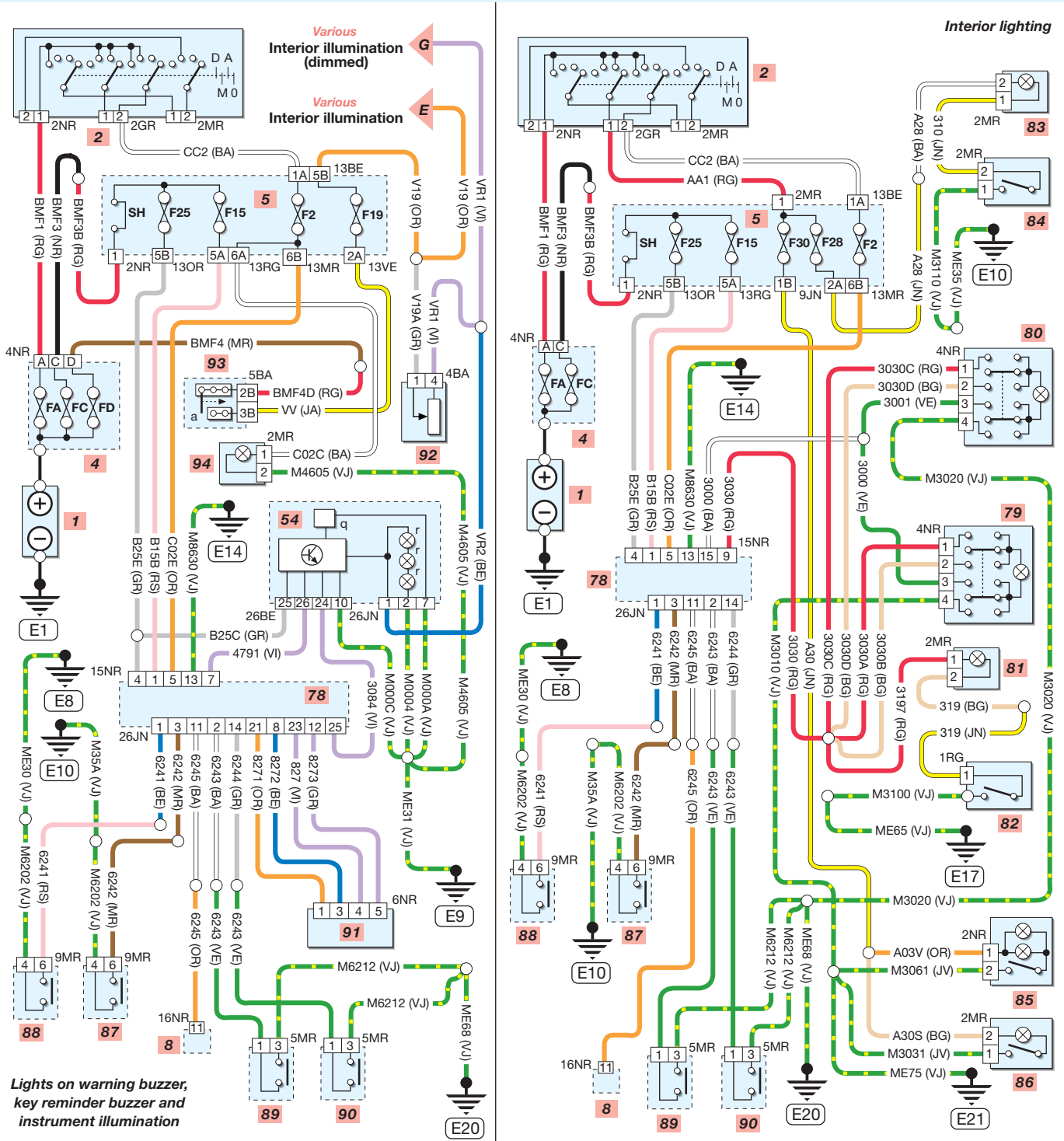
BA White	OR Orange
BE Blue	RG Red
BG Beige	RS Pink
GR Grey	VE Green
JN Yellow	VI Mauve
MR Brown	VJ Green/ Yellow
NR Black	

Key to items

1 Battery	79 Front courtesy light
2 Ignition switch	80 Rear courtesy light
4 Maxifuse unit 1	81 Luggage compartment light
5 Passenger fusebox	82 Luggage compartment light switch
8 Diagnostic connector	83 Glove box light
54 Instrument cluster	84 Glove box light switch
q = buzzer	85 Passenger's vanity mirror light
r = instrument illumination	86 RH front reading light
78 Central protection unit	87 LH front door lock assembly

Diagram 7

H31996



Wire colours

BA White	OR Orange
BE Blue	RG Red
BG Beige	RS Pink
GR Grey	VE Green
JN Yellow	VI Mauve
MR Brown	VJ Green/Yellow
NR Black	

* All other models
** Estate

Key to items

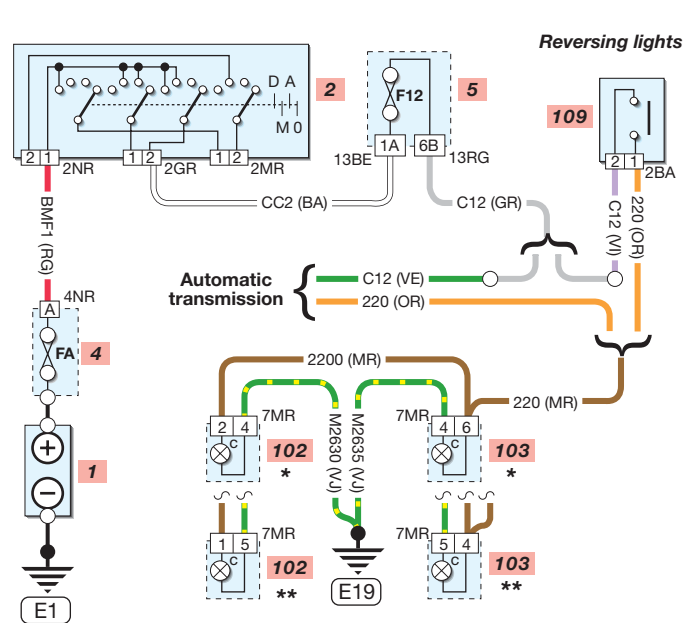
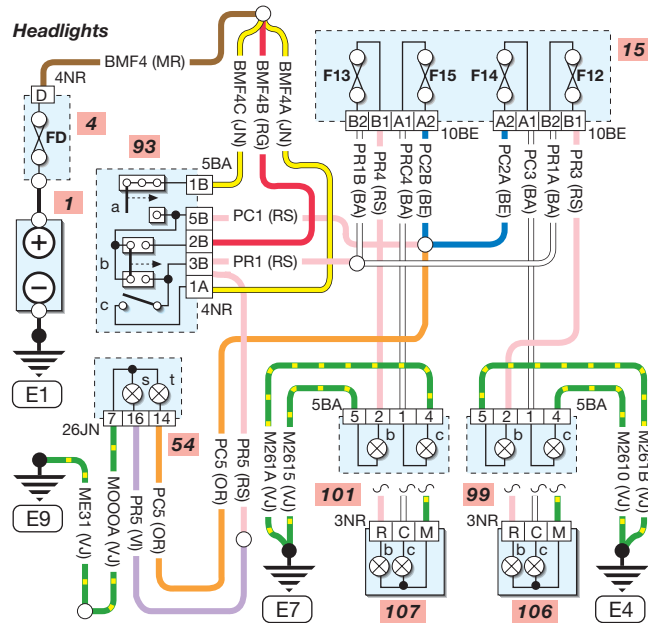
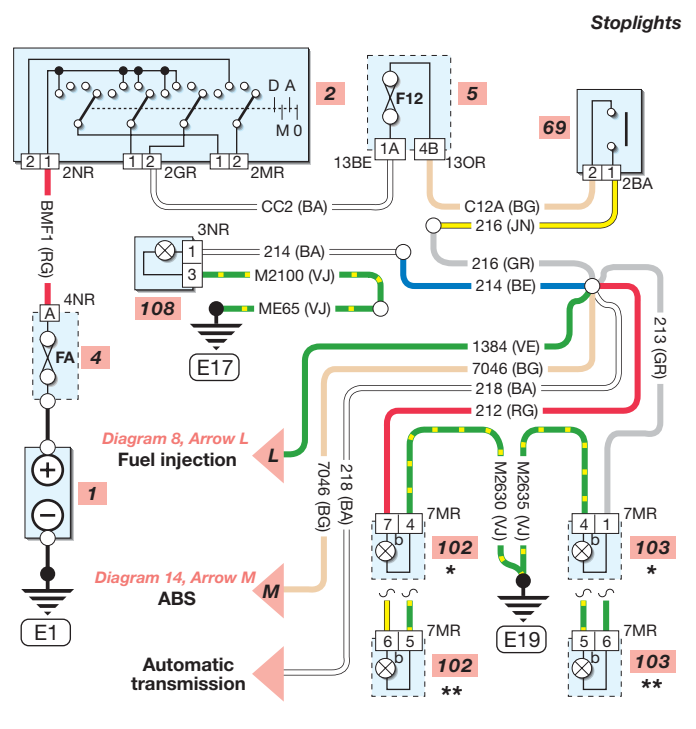
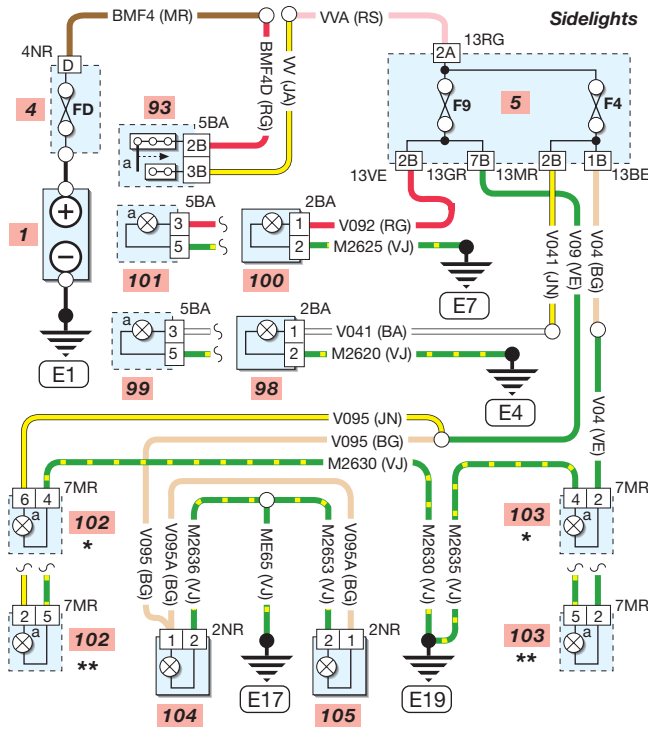
- 1 Battery
- 2 Ignition switch
- 4 Maxifuse unit 1
- 5 Passenger fusebox
- 15 Engine fusebox
- 54 Instrument cluster
- s = main beam warning light
- t = dipped beam warning light
- 69 Stoplight switch
- 93 Multifunction switch
- a = sidelight/headlight switch
- b = dipped/main beam switch
- c = headlight flasher

- 98 LH front sidelight (H4 headlights)
- 99 LH headlight (H7 headlights)
- a = sidelight
- b = main beam
- c = dipped beam
- 100 RH front sidelight (H4 headlights)
- 101 RH headlight (H7 headlights)
- (a to c as per item 99)
- 102 LH rear light cluster
- a = tail light
- b = stop light
- c = reversing light

- 103 RH rear light cluster
- (a to c as per item 102)
- 104 LH number plate light
- 105 RH number plate light
- 106 LH headlight (H4 headlights)
- 107 RH headlight (H4 headlights)
- 108 High level brake light
- 109 Reversing light switch (manual)

Diagram 8

H31997



Wire colours

BA White	OR Orange
BE Blue	RG Red
BG Beige	RS Pink
GR Grey	VE Green
JN Yellow	VI Mauve
MR Brown	VJ Green/Yellow
NR Black	Y Yellow

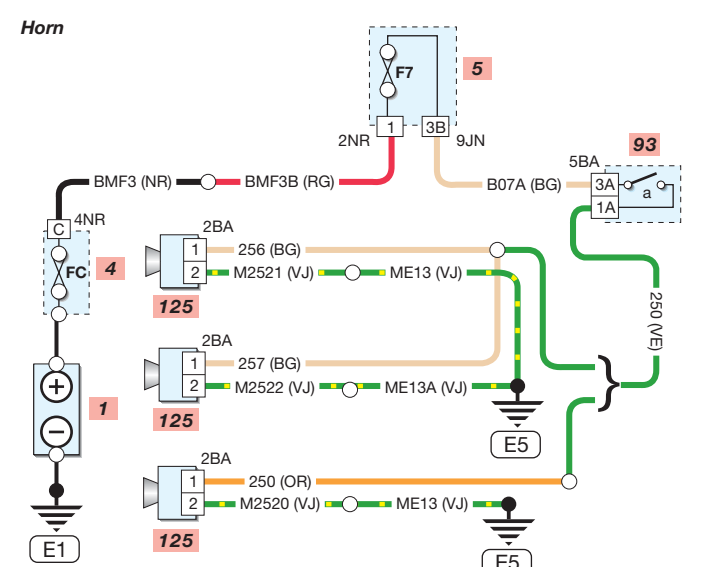
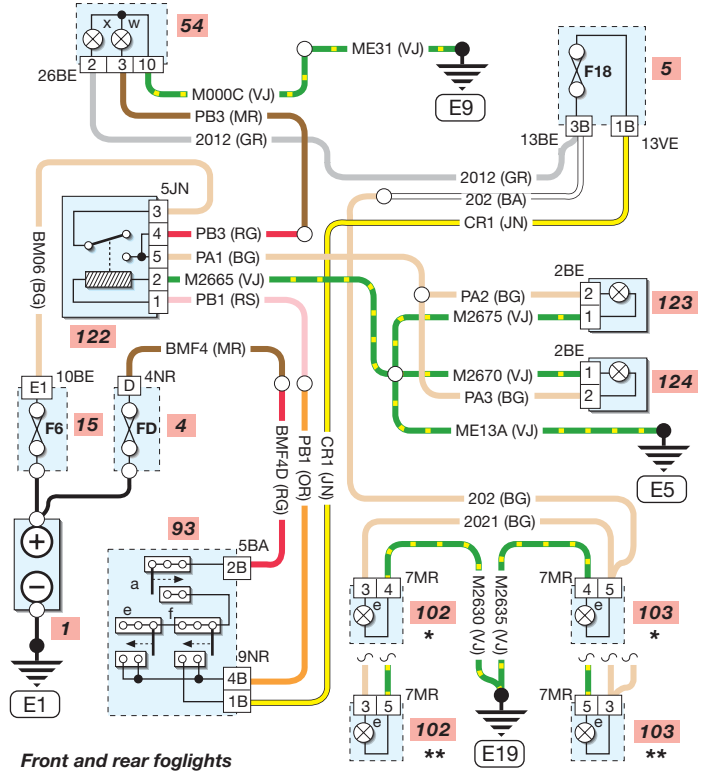
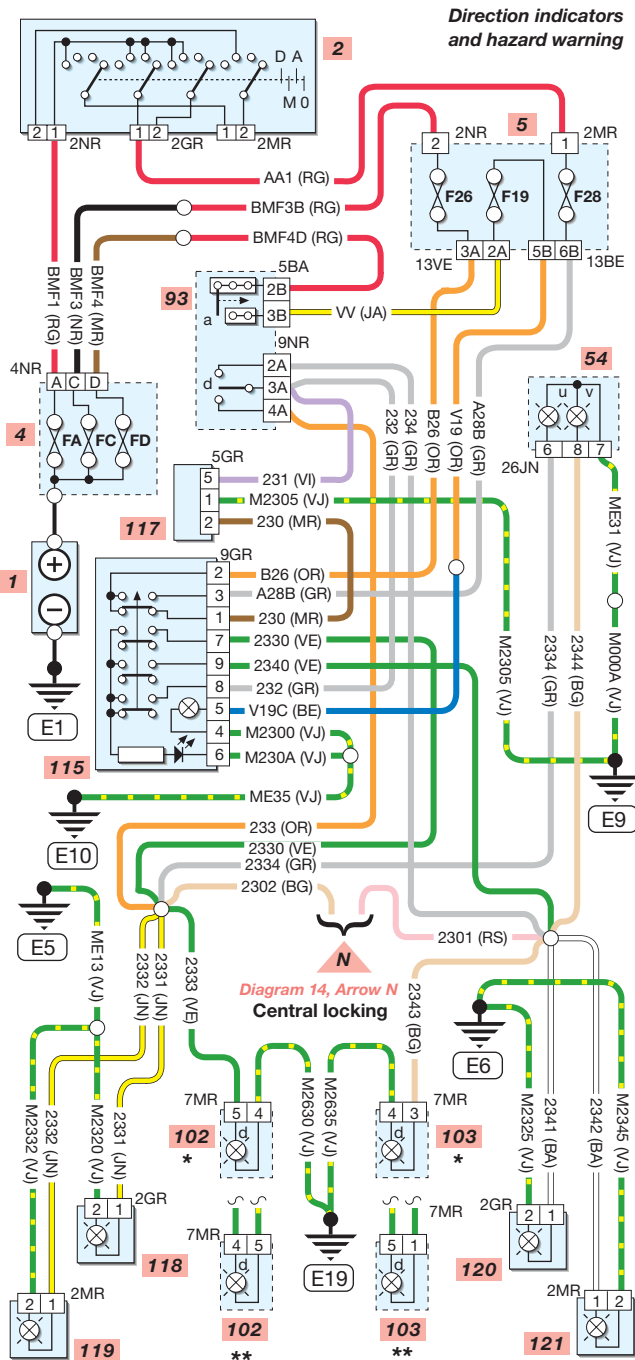
* All other models
** Estate

Key to items

1	Battery	93	Multifunction switch	115	Hazard warning switch
2	Ignition switch	a	= sidelight/headlight switch	117	Direction indicator flasher unit
4	Maxifuse unit 1	d	= indicator switch	118	LH front indicator
5	Passenger fusebox	e	= rear foglight switch	119	LH front side repeater
15	Engine fusebox	f	= front foglight switch	120	RH front indicator
54	Instrument cluster	g	= horn switch	121	RH front side repeater
u	= LH indicator warning light	102	LH rear light cluster	122	Front foglight relay
v	= RH indicator warning light	d	= direction indicator	123	LH front foglight
w	= front foglight warning light	e	= foglight	124	RH front foglight
x	= rear foglight warning light	103	RH rear light cluster	125	Horn
			(d and e as per item 102)		

Diagram 9

H31998



Wire colours

BA White	OR Orange
BE Blue	RG Red
BG Beige	RS Pink
GR Grey	VE Green
JN Yellow	VI Mauve
MR Brown	VJ Green/ Yellow
NR Black	

Key to items

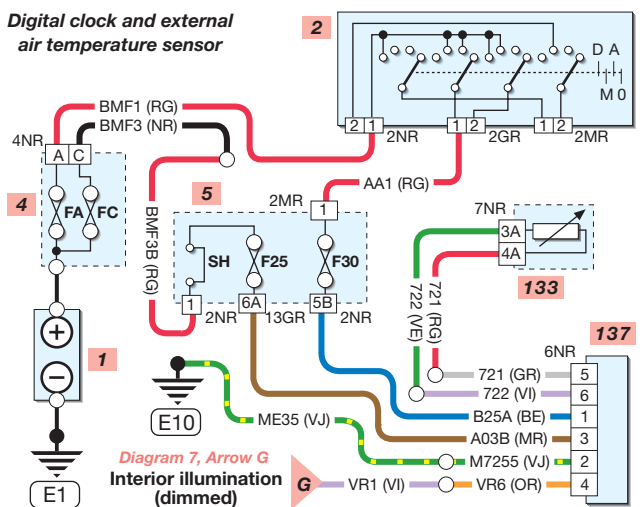
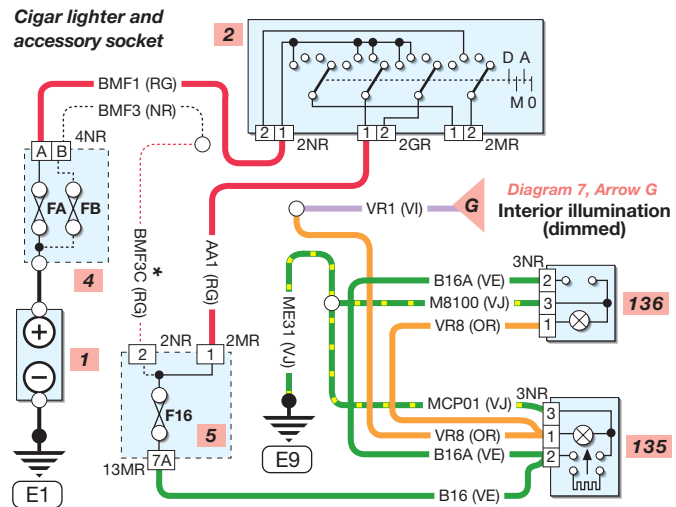
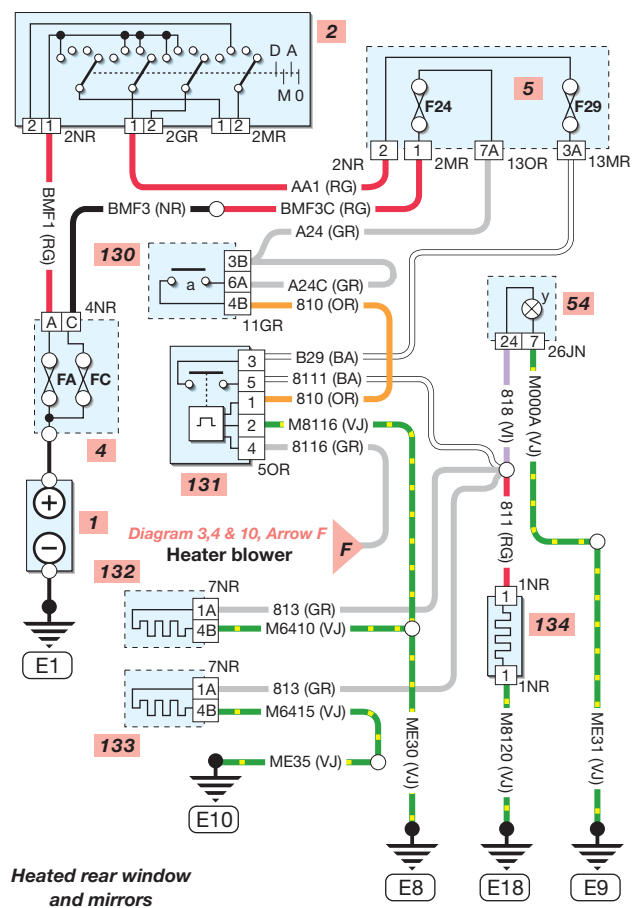
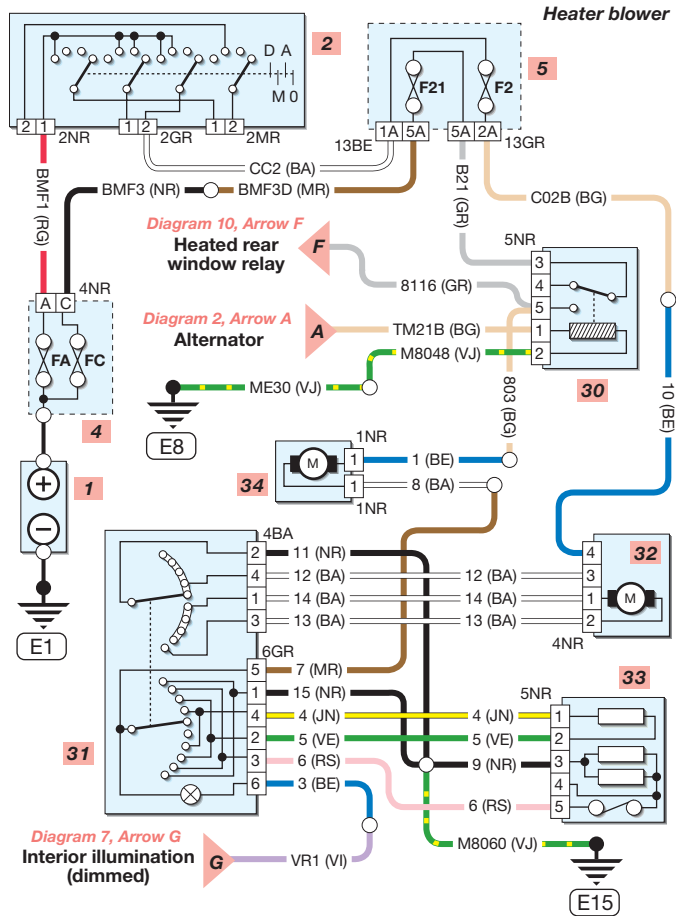
1 Battery	34 Heater blower motor
2 Ignition switch	54 Instrument cluster
4 Maxifuse unit 1	y = heated rear window warning light
5 Passenger fusebox	130 Wash/wipe and heated rear window switch
30 Blower relay	a = heated mirrors/rear window switch
31 Blower speed rheostat	131 Heated rear window timer relay
32 Air inlet flap reduction motor	132 Driver's mirror assembly
33 Heater blower resistor	133 Passenger's mirror assembly

134 Heated rear window
135 Cigar lighter
136 Accessory socket
137 Digital clock/external temp. guage

* Alternative wiring

H31999

Diagram 10



Wire colours

BA White	OR Orange
BE Blue	RG Red
BG Beige	RS Pink
GR Grey	VE Green
JN Yellow	VI Mauve
MR Brown	VJ Green/ Yellow
NR Black	

Key to items

1 Battery	142 Audio unit	152 Tilt limit switch
2 Ignition switch	143 LH front tweeter	153 Sunroof relay
4 Maxifuse unit 1	144 RH front tweeter	154 Zero point switch
5 Passenger fusebox	145 Driver's front door speaker	155 Headlight levelling switch
54 Instrument cluster	146 Passenger's front door speaker	156 LH headlight levelling motor
z = clock	147 CD player	157 RH headlight levelling motor
93 Multifunction switch	148 Front window lift and sunroof relay	
a = side/headlight switch	149 Sunroof motor	
140 Satellite control switches	150 Sunroof switch	
141 Steering wheel rotary connector	151 Travel limit switch	

Diagram 11

152 Tilt limit switch
153 Sunroof relay
154 Zero point switch
155 Headlight levelling switch
156 LH headlight levelling motor
157 RH headlight levelling motor

Note:
dashed wiring denotes alternative

H33000

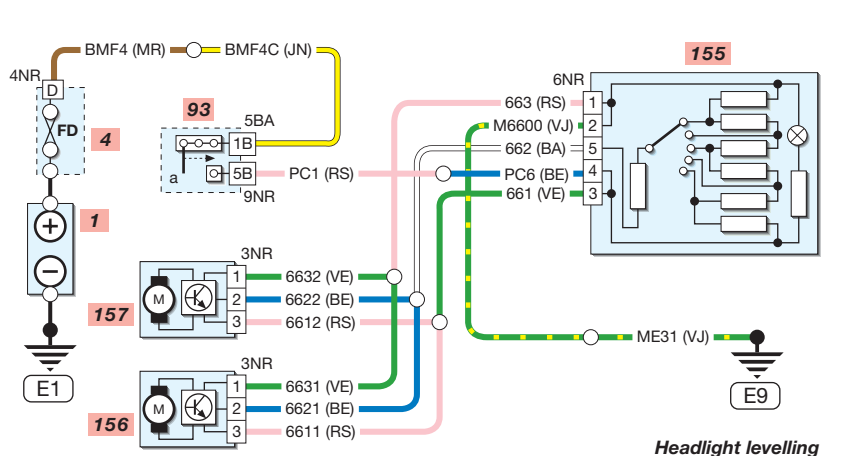
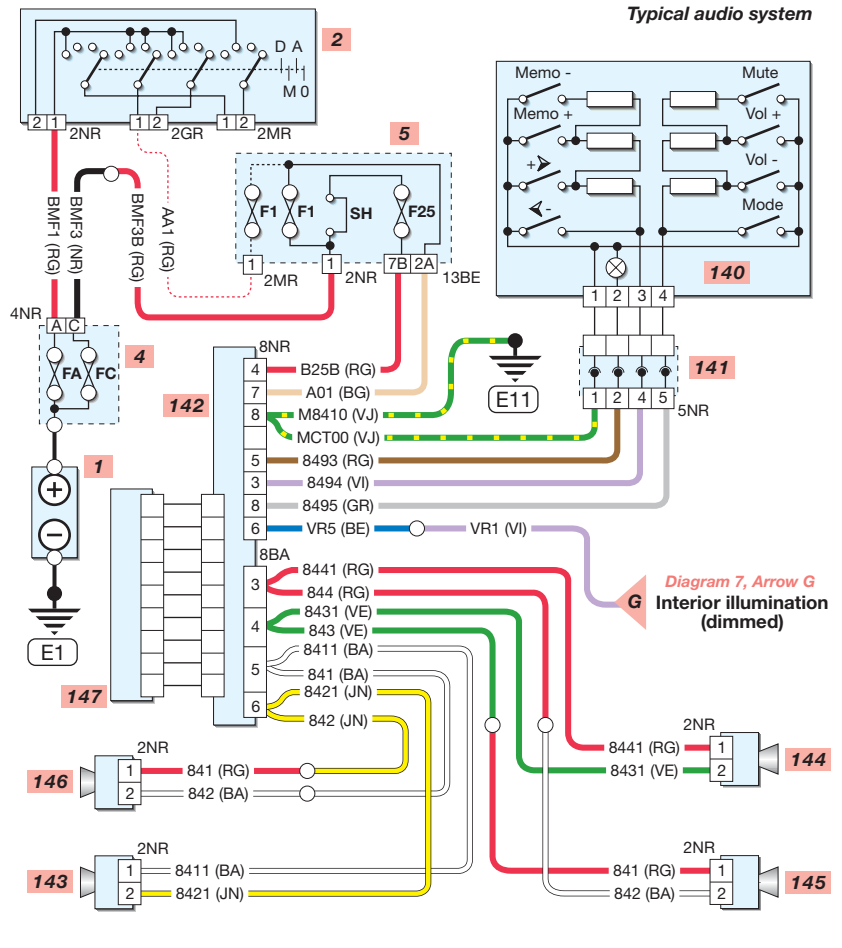
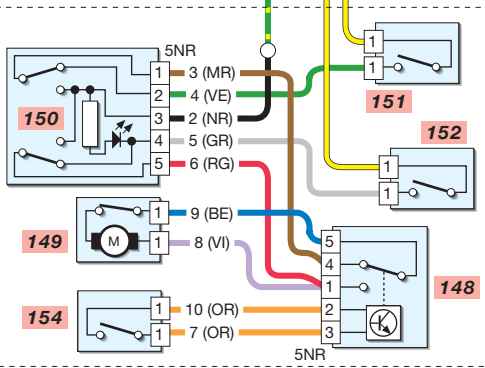
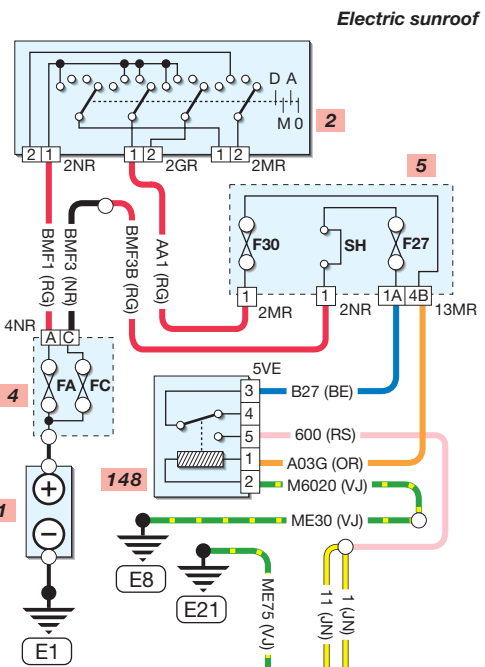
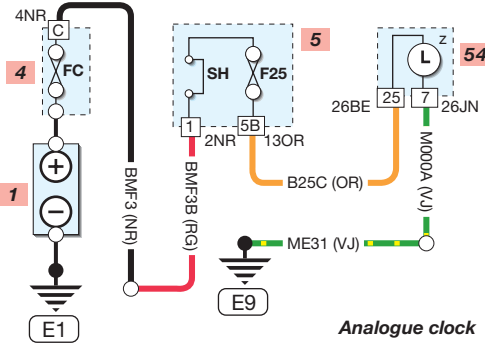


Diagram 7, Arrow G
Interior illumination (dimmed)

Wire colours

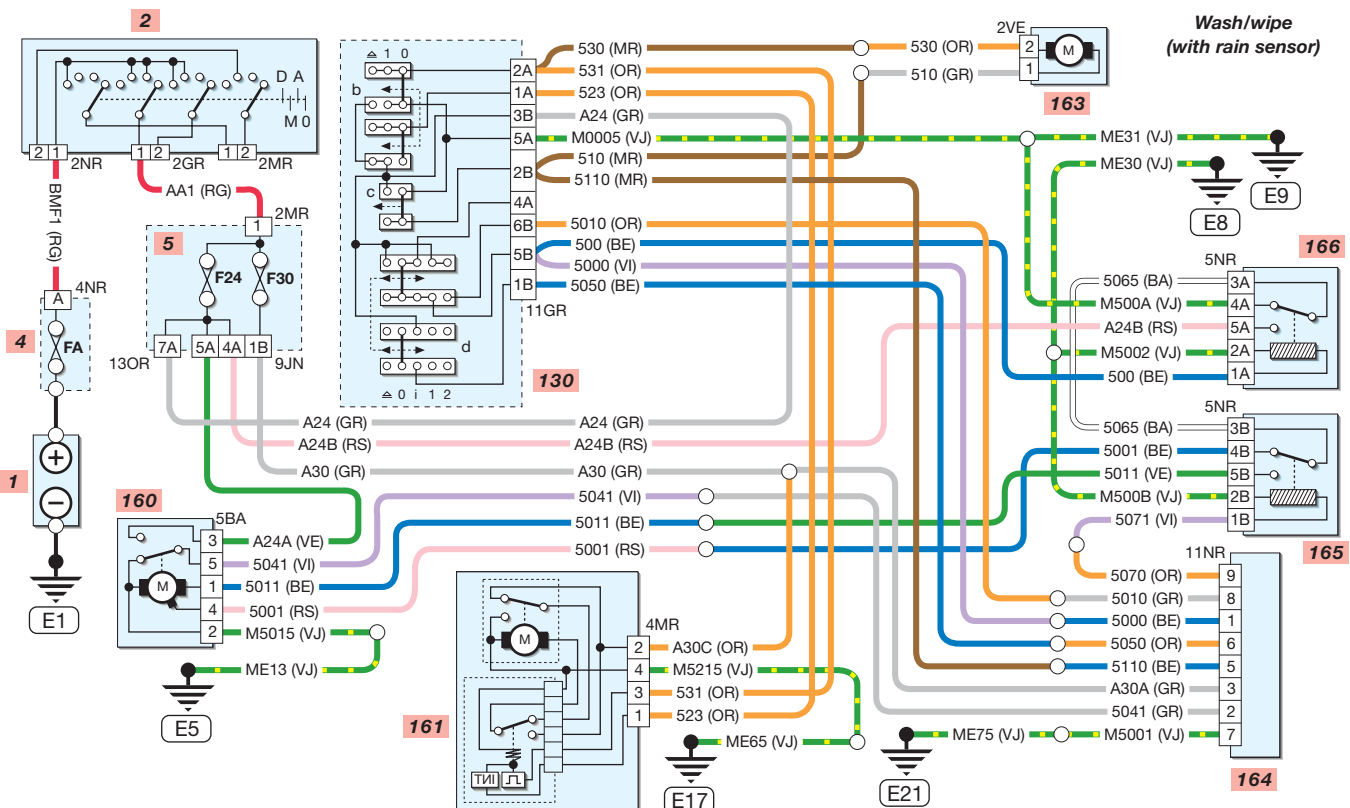
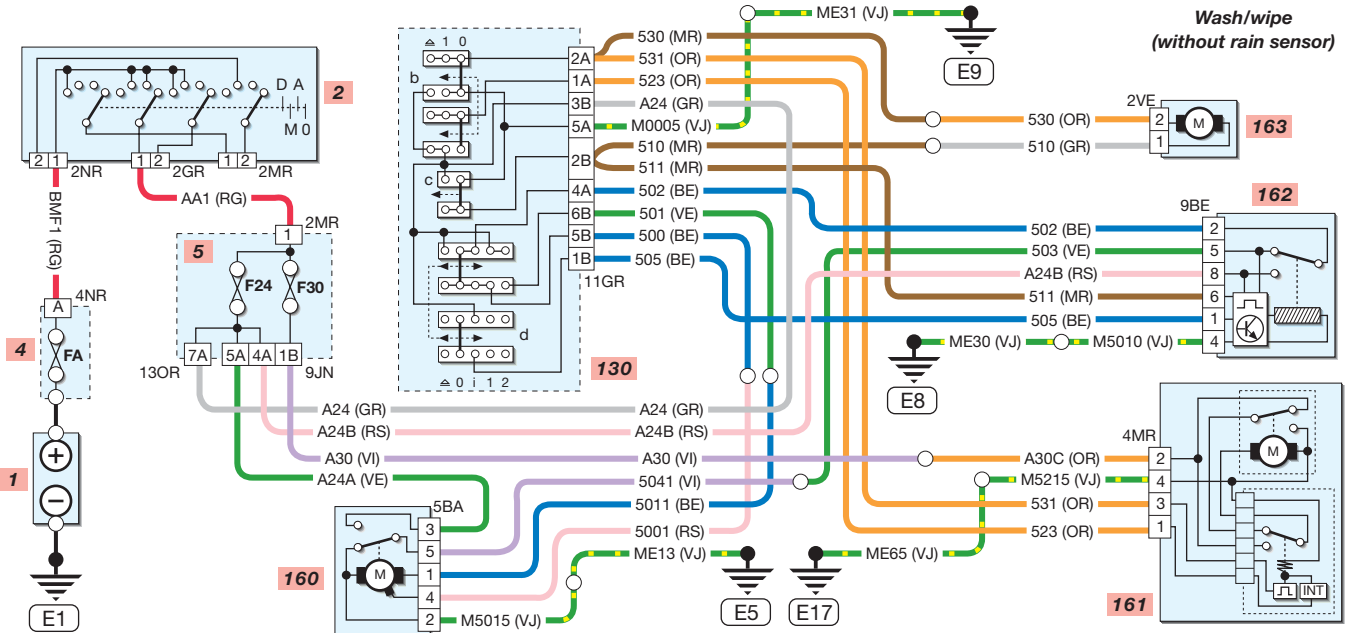
BA White	OR Orange
BE Blue	RG Red
BG Beige	RS Pink
GR Grey	VE Green
JN Yellow	VI Mauve
MR Brown	VJ Green/ Yellow
NR Black	

Key to items

1 Battery	160 Front wiper motor
2 Ignition switch	161 Rear wiper motor
4 Maxifuse unit 1	162 Front wiper timer relay
5 Passenger fusebox	163 Front/rear washer pump
130 Wash/wipe and heated rear window switch	164 Rain sensor
b = rear wiper switch	165 Rain sensor speed control relay
c = washer switch	166 Rain sensor control relay
d = front wiper switch	

Diagram 12

H33001



Wire colours

BA White	OR Orange
BE Blue	RG Red
BG Beige	RS Pink
GR Grey	VE Green
JN Yellow	VI Mauve
MR Brown	VJ Green/ Yellow
NR Black	

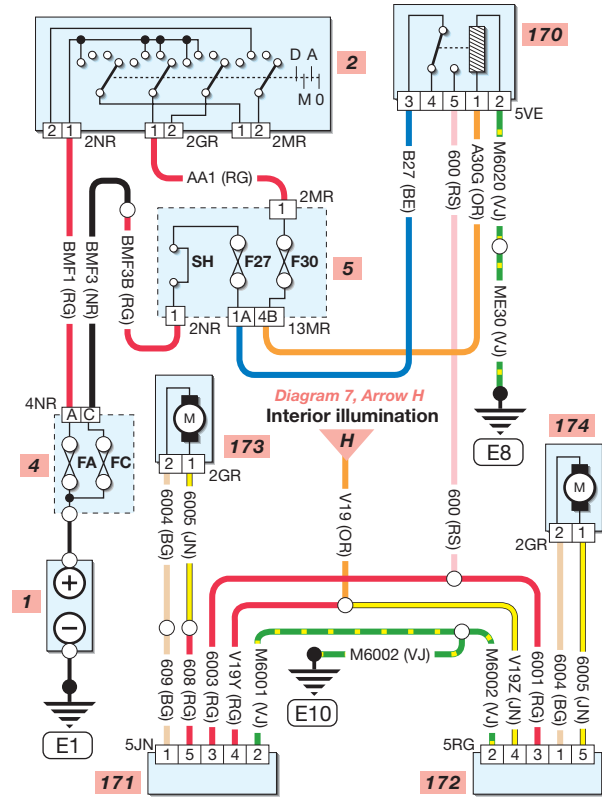
Key to items

1 Battery	173 LH front window motor	179 LH rear window rear switch
2 Ignition switch	174 RH front window motor	180 LH rear window lift motor
4 Maxifuse unit 1	175 Rear window lift relay	181 RH rear window front switch
5 Passenger fusebox	176 Rear window lift inhibitor switch and alarm cut-off	182 RH rear window rear switch
170 Front window lift relay	177 Rear function locking relay	183 RH rear window lift motor
171 LH front window switch	178 LH rear window front switch	184 Driver's seat backrest switch
172 RH front window switch		185 Driver's seat backrest inclination motor

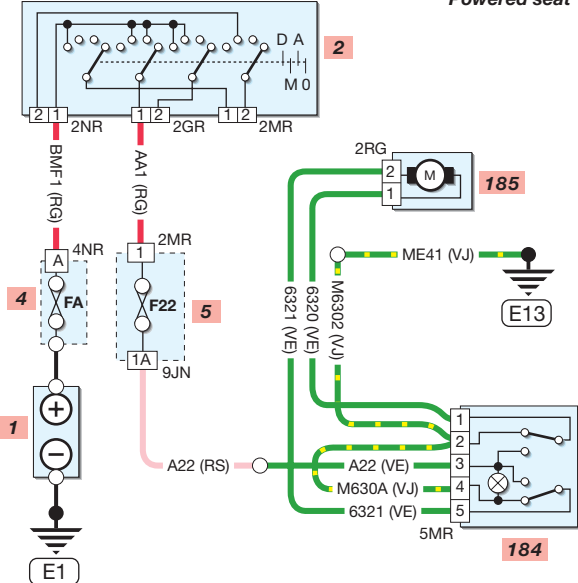
Diagram 13

H33002

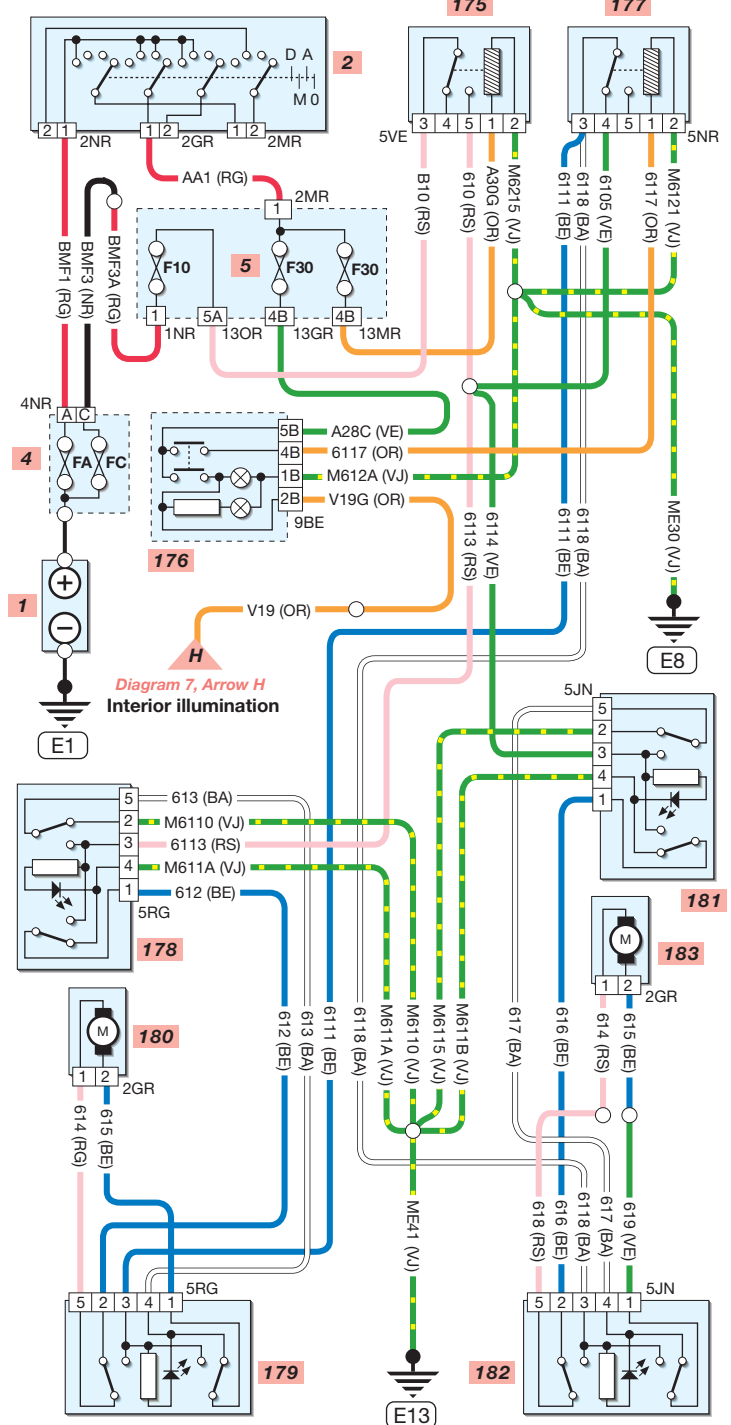
Front electric windows



Powered seat



Rear electric windows



Wire colours

BA White	OR Orange
BE Blue	RG Red
BG Beige	RS Pink
GR Grey	VE Green
JN Yellow	VI Mauve
MR Brown	VJ Green/ Yellow
NR Black	

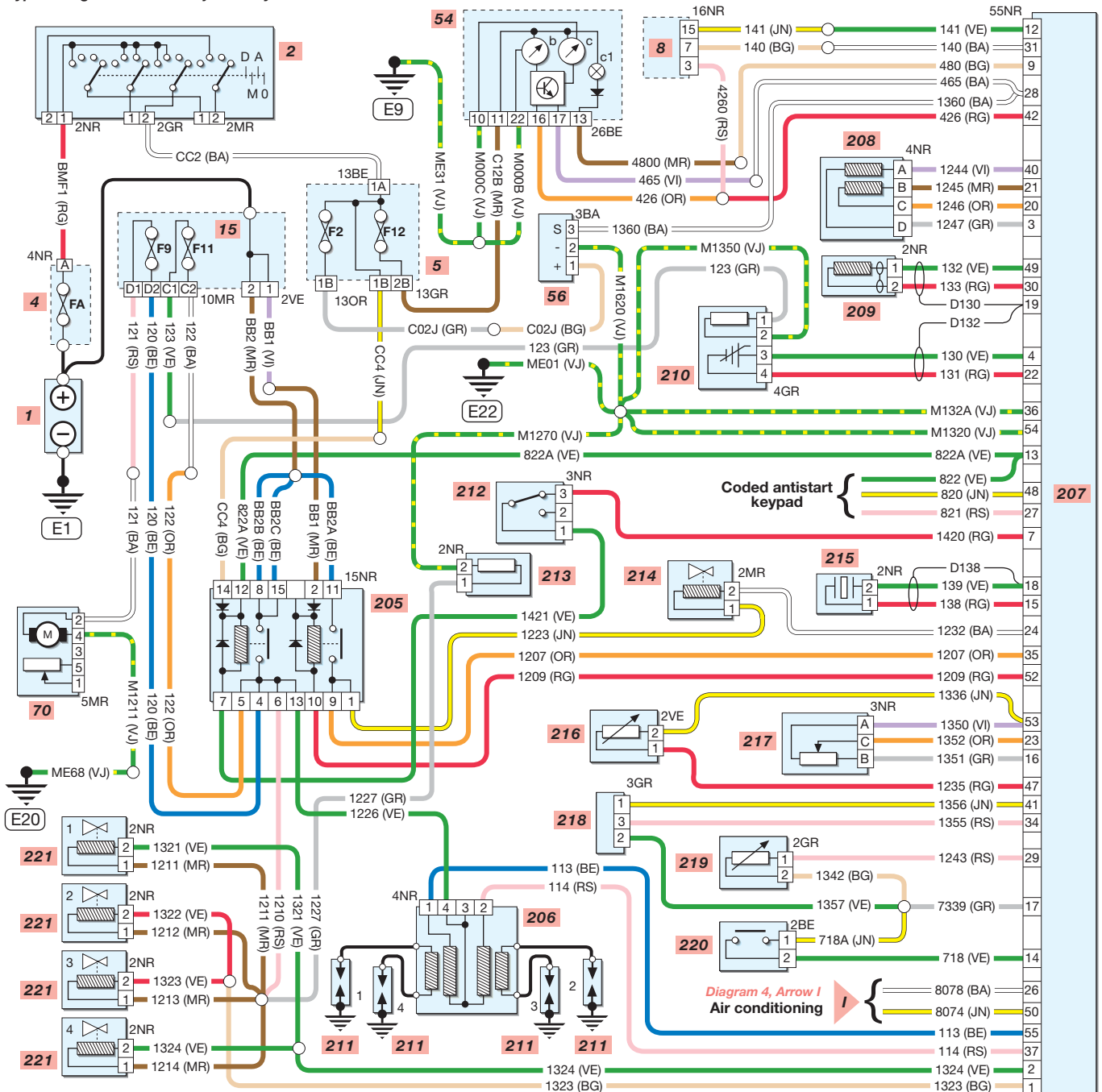
Key to items

1 Battery	56 Vehicle speed sensor	214 Canister purge solenoid
2 Ignition switch	70 Fuel gauge sender unit/fuel pump	215 Knock sensor
4 Maxifuse unit 1	205 Engine management double function relay	216 Engine coolant temp. sensor
5 Passenger fusebox	206 Ignition coil	217 Throttle position sensor
8 Diagnostic connector	207 Engine management control unit	218 MAP sensor
15 Engine fusebox	208 Idle speed stepper motor	219 Inlet air temp. sensor
54 Instrument cluster	209 Engine speed sensor	220 Power steering pressure switch
b = speedometer	210 Oxygen sensor	221 Fuel injector
c = tachometer	211 Spark plug	
c1 = engine management warning light	212 Inertia switch	
	213 Throttle housing heater	

Diagram 15

H33004

Typical Sagem SL 96 fuel injection system



Wire colours

BA White	OR Orange
BE Blue	RG Red
BG Beige	RS Pink
GR Grey	VE Green
JN Yellow	VI Mauve
MR Brown	VJ Green/ Yellow
NR Black	

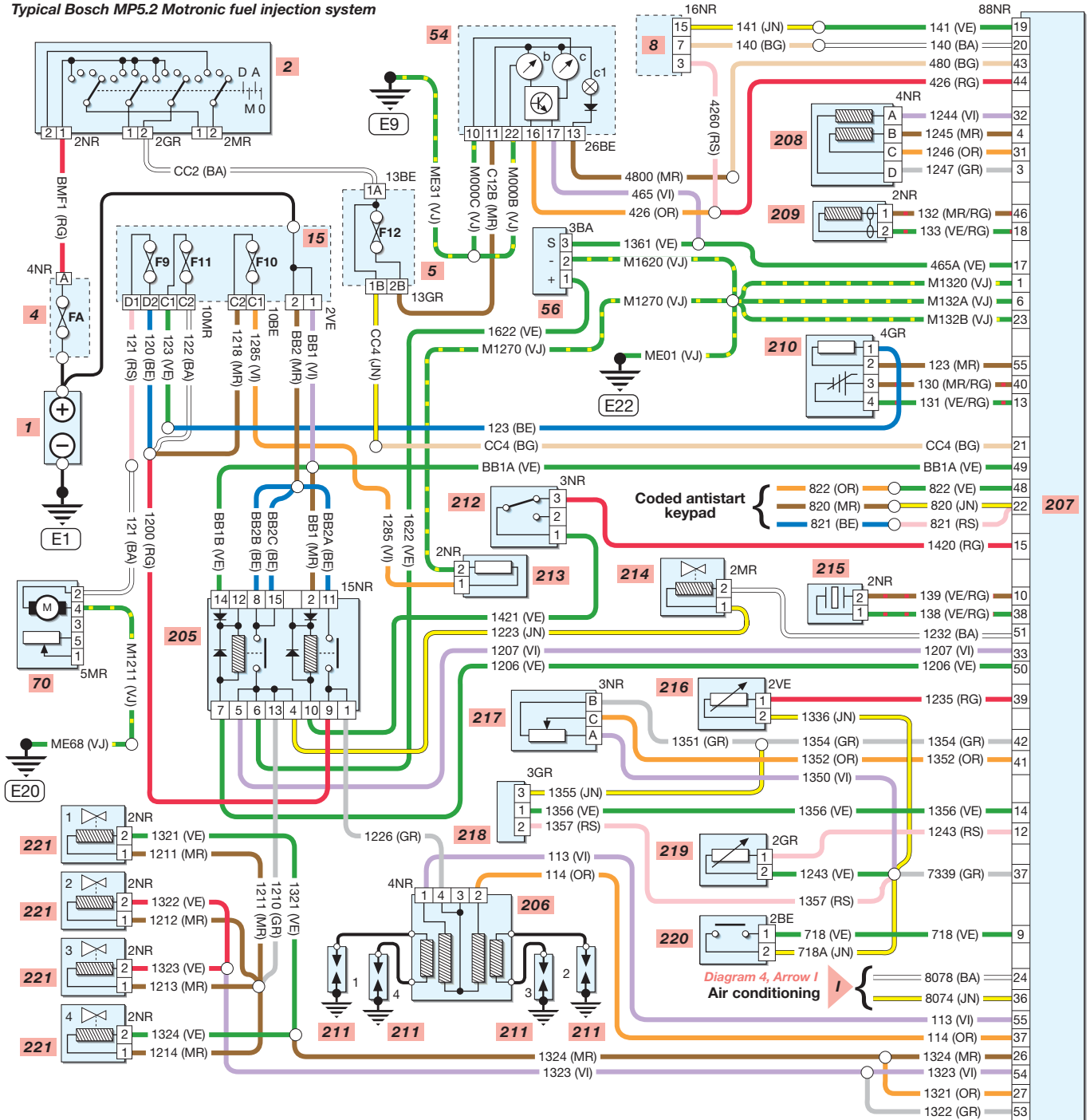
Key to items

1 Battery	56 Vehicle speed sensor	214 Canister purge solenoid
2 Ignition switch	70 Fuel gauge sender unit/fuel pump	215 Knock sensor
4 Maxifuse unit 1	205 Engine management double function relay	216 Engine coolant temp. sensor
5 Passenger fusebox	206 Ignition coil	217 Throttle position sensor
8 Diagnostic connector	207 Engine management control unit	218 MAP sensor
15 Engine fusebox	208 Idle speed stepper motor	219 Inlet air temp. sensor
54 Instrument cluster	209 Engine speed sensor	220 Power steering pressure switch
b = speedometer	210 Oxygen sensor	221 Fuel injector
c = tachometer	211 Spark plug	
c1 = engine management warning light	212 Inertia switch	
	213 Throttle housing heater	

Diagram 16

H33005

Typical Bosch MP5.2 Motronic fuel injection system



Wire colours

BA White	OR Orange
BE Blue	RG Red
BG Beige	RS Pink
GR Grey	VE Green
JN Yellow	VI Mauve
MR Brown	VJ Green/ Yellow
NR Black	

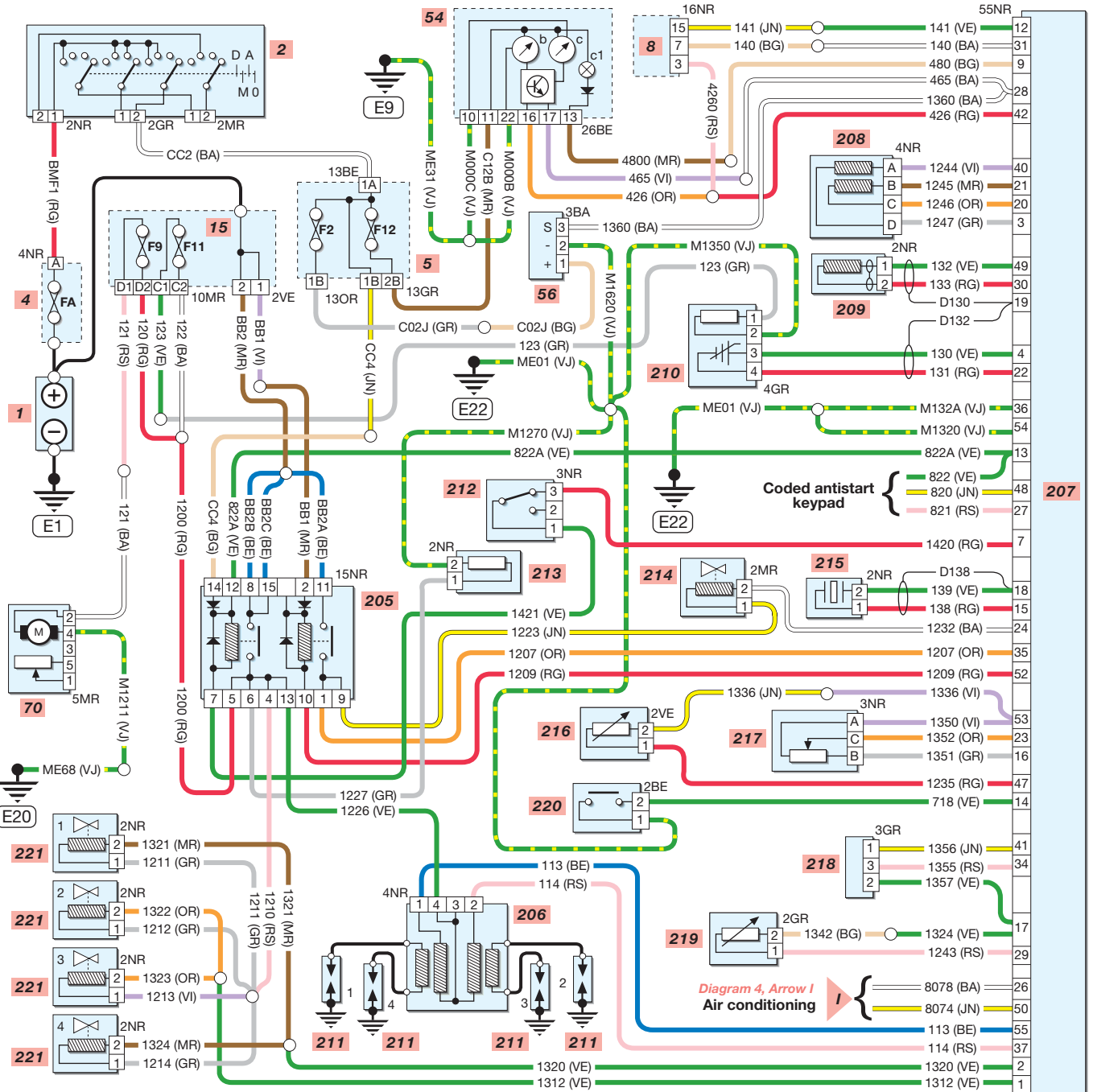
Key to items

1 Battery	56 Vehicle speed sensor	214 Canister purge solenoid
2 Ignition switch	70 Fuel gauge sender unit/fuel pump	215 Knock sensor
4 Maxifuse unit 1	205 Engine management double function relay	216 Engine coolant temp. sensor
5 Passenger fusebox	206 Ignition coil	217 Throttle position sensor
8 Diagnostic connector	207 Engine management control unit	218 MAP sensor
15 Engine fusebox	208 Idle speed stepper motor	219 Inlet air temp. sensor
54 Instrument cluster	209 Engine speed sensor	220 Power steering pressure switch
b = speedometer	210 Oxygen sensor	221 Fuel injector
c = tachometer	211 Spark plug	
c1 = engine management warning light	212 Inertia switch	
	213 Throttle housing heater	

Diagram 17

H33006

Typical MM1AP fuel injection system



Wire colours

BA White	OR Orange
BE Blue	RG Red
BG Beige	RS Pink
GR Grey	VE Green
JN Yellow	VI Mauve
MR Brown	VJ Green/ Yellow
NR Black	

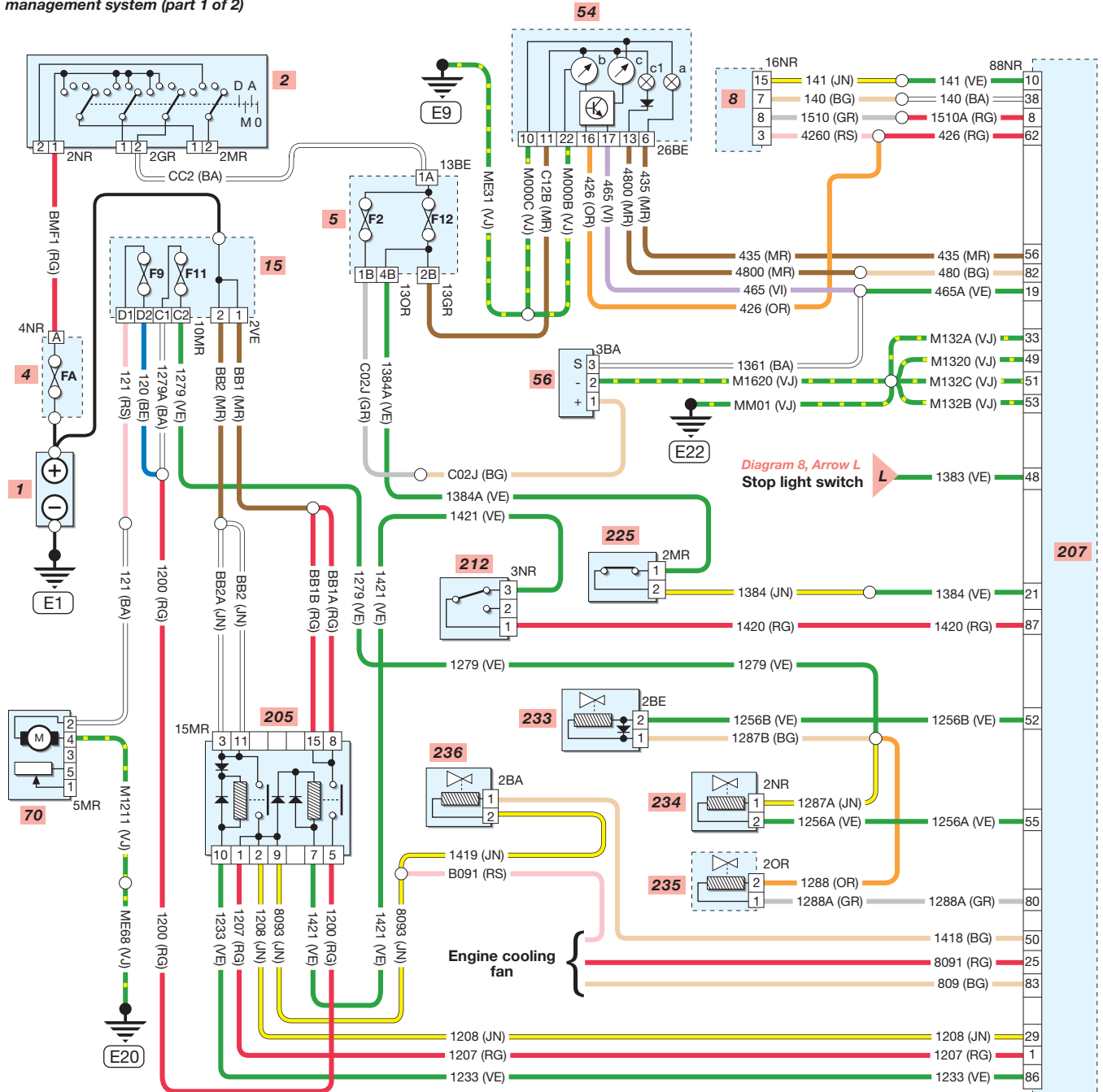
Key to items

1 Battery	56 Vehicle speed sensor
2 Ignition switch	70 Fuel gauge sender unit/fuel pump
4 Maxifuse unit 1	205 Engine management double function relay
5 Passenger fusebox	207 Engine management control unit
8 Diagnostic connector	212 Inertia switch
15 Engine fusebox	225 Clutch pedal info switch
54 Instrument cluster	233 EGR solenoid valve
a = glow plug warning light	234 EGR butterfly solenoid
b = speedometer	235 3rd piston cut-out solenoid
c = tachometer	236 Pressure regulator
c1 = engine man. warning light	

Diagram 18

H33007

Typical HDi Diesel engine management system (part 1 of 2)



Wire colours

BA White	OR Orange
BE Blue	RG Red
BG Beige	RS Pink
GR Grey	VE Green
JN Yellow	VI Mauve
MR Brown	VJ Green/Yellow
NR Black	Yellow

Key to items

1 Battery	221 Fuel injector
2 Ignition switch	226 3 relay protection switch unit
4 Maxifuse unit 1	227 Water circuit heater
5 Passenger fusebox	228 Accelerator pedal sensor
15 Engine fusebox	229 Pressure sensor
50 Preheat control unit	230 Diesel thermistor
51 Glow plugs	231 Air flow sensor
207 Engine management control unit	232 Cylinder reference sensor
209 Engine speed sensor	

Diagram 19

H33008

Typical HDi Diesel engine management system (part 2 of 2)

